



EUR3KA - Strumenti a supporto della resilienza industriale

Silvia Romana Ottaviani

Engineering

Technical gases



LPG and Natural Gas

Healthcare

The SIAD Group and SIAD Macchine Impianti

The Group has been active since 1927 and is one of the major Italian chemical groups. It is involved in the industrial gases, engineering, healthcare, LPG and Natural Gas sectors.



YEAR 2021

YEAR 2021

€ 761 M **2 142**
Turnover Employees

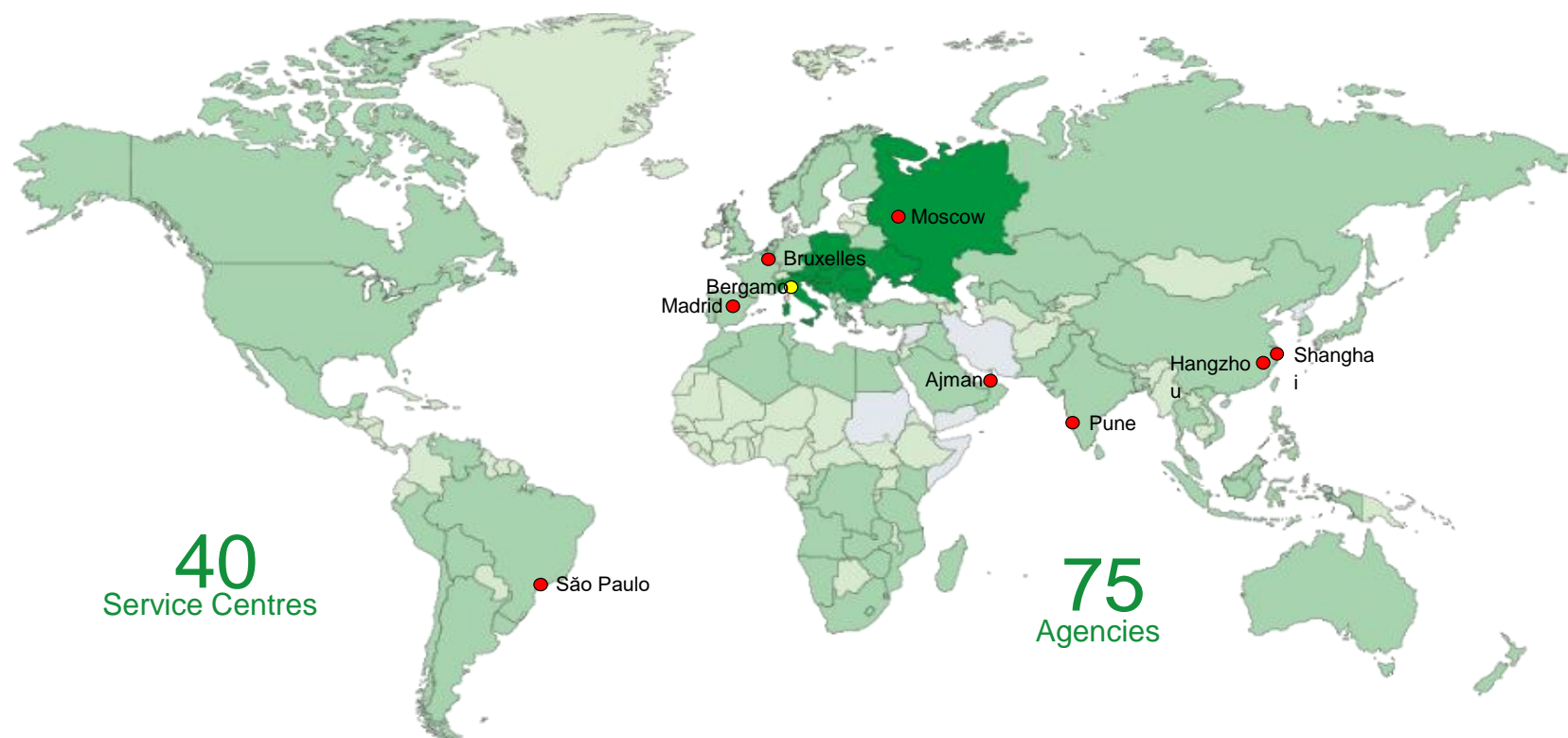
SIAD MI Group

€ 141 M **318**
Turnover Employees

Engineering Group

€ 194 M **444**
Turnover Employees

SIAD group has operations all over the world at different levels (development, commercial, assistance etc.)



40
Service Centres

75
Agencies

- Group Companies of the Engineering Section
- Areas with full involvement by the Engineering and Gas Sections
- Areas with full involvement by the Engineering Section
- Areas with plant installations plus servicing by the Engineering Section

- Head Offices: Engineering and Project Management managed by HQ in Italy

Training

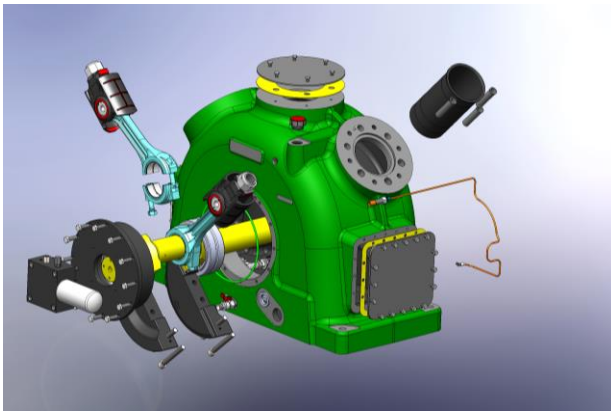
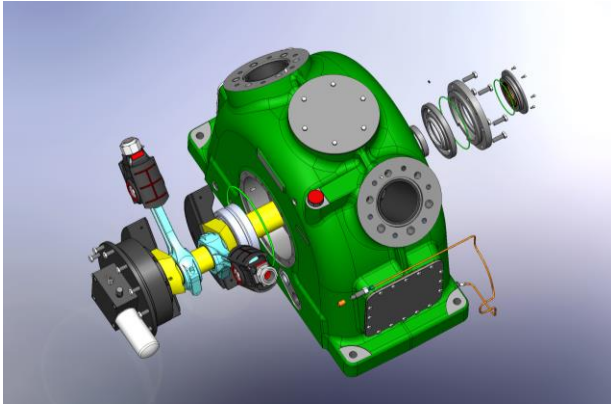
- One Training Centre in HQ with all kind of compressors in SIAD MI portfolio;
- Identical manufacturing processes and test facilities in all production sites;
- Global organization of Quality functions and related procedures;
- Objective: maintain the highest efficiency of SIAD MI compressors

In the last 20 years:

- #22 training sessions for SIAD MI authorized service centres with more than 500 technicians from Brazil, Mexico, China, India, Australia etc.
- More than 70 training courses for Clients



Compressor assembly and maintenance



Challenge:

- # 12 of different compressor types in production;
- More than 1200 items to produce one single compressor

Objective:

- From manuals and videos to VR experiences;
- Reduce mobility of resources and intervention time in maintenance procedures

SIAD MI is currently involved in EUR3KA project as use case on compressors:

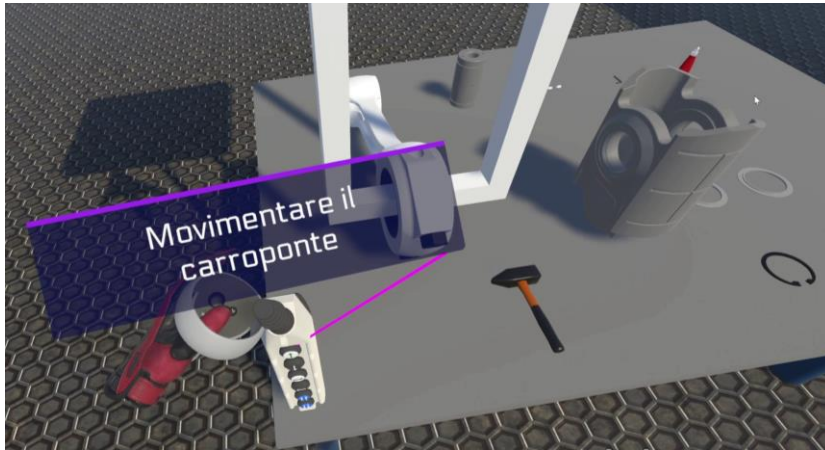
- Analysis and requirements definition for compressor assembly/disassembly procedures in VR;
- Experimental validation of the developed VR tool on field

Expected Outcome:

- Improvement in SIAD process and in Service procedures;
- Accelerate current digital transformation and increase technological competitiveness



POLITECNICO
MILANO 1863



- Standard practices prepared by HQ and shared with all service centers worldwide;
- Instructions built from what the operator really does rather than from design standpoint;

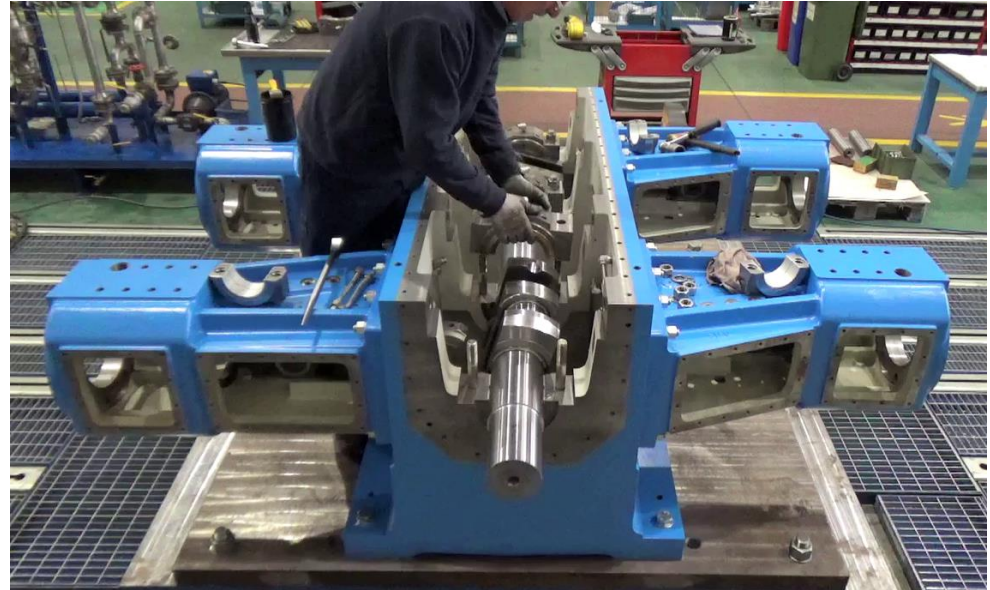
- Capability to support changing needs between different departments;
- Creation of virtual experiences without the need of programming skills;
- AI automatic feed-back through AI of assembly operations which helps improving engineering and design;

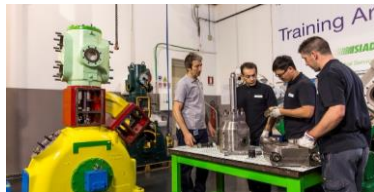


Cross-head assembly procedure in VR



- Record SIAD MI operator at work, integrate video and manuals to explain the assembly sequence of a compressor;
- Develop VR experience of the whole assembly procedure for each compressor in SIAD MI portfolio;
- Test the validity of VR tool on SIAD MI operators.





siadmi.com
siadmi@siad.eu



<https://it-it.facebook.com/Gruppo.SIAD/>
<https://www.linkedin.com/company/siad-macchine-impianti/>
<https://www.youtube.com/c/Siadmi/>